

— THE TOUGHEST —
PERFORMER
« FOR YOUR FIELD »

Solis
S110

MASTERING CHALLENGES **REVOLUTIONISING AGRICULTURE**

POWER
SHUTTLE



BEST IN INDUSTRY
5
YEARS
WARRANTY

CELEBRATING
1,400,000
TRACTORS
GLOBALLY

— MADE OF —
COST
EFFICIENT
MECHANICAL TRACTORS

— MADE OF —
REAL
STEEL

STRATEGIC
COLLABORATION
WITH
YANMAR



HIGH PERFORMANCE WITH S-TECH ENGINE

Unleash the potential of your agricultural operations with the Solis S110. Its 110HP diesel 4-stroke inline engine sets a new standard for power and reliability. With a torque output of 460 Nm at 1400 RPM, Solis S110 effortlessly conquers challenging tasks, empowering farmers to maximize productivity and efficiency.



4-CYLINDER
STAGE V ENGINE



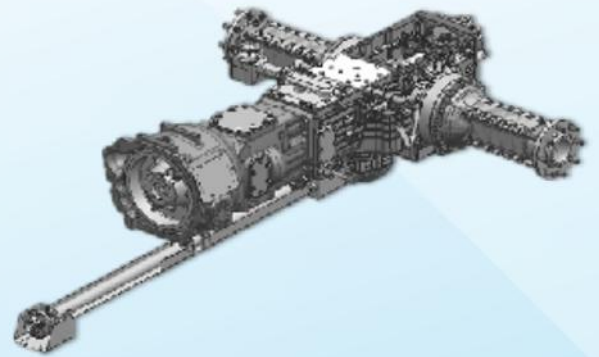
HIGH END
TORQUE OF
460 Nm



2 STAGE
DRY AIR
CLEANER

INNOVATIVE POWER SHUTTLE TRANSMISSION

Solis S110 is a game-changer in the agricultural industry. Its advanced 24F+12R Power Shuttle Transmission offers precise gear shifting along with Power Splitter. This feature-packed tractor is designed to optimize productivity and efficiency, making it a perfect choice for demanding farming operations.



24F+12R POWER
SHUTTLE
TRANSMISSION



PTO
540/540E/1000
CALIBRATION



CUTTING-EDGE S-COMMAND CENTRE

Experience excellence with the Solis S110 featuring the cutting-edge S-Command Centre. Its aerodynamic design and premium elements, such as a comfortable driver seat with headrest and armrest, redefine tractor luxury. The state-of-the-art cabin boasts an ergonomically designed control panel, telescopic steering, and a wide floor mat, ensuring a seamless and comfortable operation.



POWER
STEERING



COMFORTABLE
SEAT



WIDER
PLATFORM





S-BOOST HYDRAULICS

Discover the Solis S110 with an extraordinary 4500 KG lifting capacity. This robust tractor combines strength and agility, offering versatility for various agricultural and industrial applications. Additionally with multiple hitches, this Agri performer elevates your productivity to a new level.



**3DA AUXILIARY
HYDRAULIC
CIRCUIT**



**4500 KG LIFTING
CAPACITY**



**ASAE CAT II THREE
POINT LINKAGE**

TIMELESS DESIGN

With its advanced features, the Solis S110 redefines excellence. Its projector headlamps offer enhanced visibility, making night-time operations a breeze. The rugged metal hoods and front fenders add a touch of elegance and provide reliable protection. Prepare for a seamless power, style, and reliability blend with Solis S110.



**AERODYNAMIC
BONNET**



**TWIN
PROJECTOR
HEAD LAMPS**



**HEAVY SHEET
METAL FRONT HOOD**

HEAVY DUTY FRONT AXLE

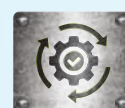
Experience safe and successful farming with the Solis S110 tractor. Packed with advanced safety features, this reliable machine ensures peace of mind in the field. From its sturdy construction to intuitive safety systems, the Solis S110 tractor sets a new standard for agricultural safety.



**HEAVY DUTY
FRONT AXLE**



**BALANCE
STEERING**



**BETTER
PRODUCTIVITY**



FEATURES	110
ENGINE	
Engine Type	Diesel 4 Stroke Inline
HP Category (HP)	110
No. of Cylinders	4
Aspiration	TCIC
Cubic Capacity (cc)	4087
Rated RPM	2200
Cold Start	Block Heater
Air Cleaner	Dry Aircleaner
Max Torque (Nm)	460Nm @1400 rpm
Exhaust	Upward with DOC+DPF+SCR
TRANSMISSION	
Drive	4WD
Gearbox	24F+12R Power Shuttle
Front Axle	Carraro (20.19)
SPEED (FORWARD)	
Maximum Speed (Km/Hr)	40
Minimum Speed (Km/Hr)	0.43
BRAKES	
Brakes	Oil Immersed Brakes
Type of Actuation	Hydraulic
Parking Brake	Independent
DIFFERENTIAL LOCK	
Differential Lock	Switch Operated
PTO	
PTO (RPM)	540/540E/1000 Calibration
PTO (Actuation)	Mechanical
STEERING	
Steering	Power
ELECTRICAL	
Battery	12V, 130AH
Alternator	12V, 150AMP
HYDRAULICS	
Hydraulic Lifting Capacity (Kg)	4500
3 Point Linkage	ASAE CAT II
Stay Bars	Yes
Auxiliary Hydraulic Circuit	3DA Detent & Float
Lift Rods	Adjustable Link
Litre Per Minute (LPM)	93

FEATURES	110
CAPACITY (LTRS)(+/-6%)	
Fuel Tank (Ltr.)	100
Ad Blu	12
TYRE	
Front	14.9-24
Rear	18.4-34
DIMENSION (+/-5%) (4WD/2WD)	
Overall Length (mm)	4250
Overall Width (mm)	2035
Overall Height (mm) up to ROPS	2700
Wheel Base (mm)	2410
Min. Ground Clearance (mm)	450
Front Track (mm)	1670
Rear Track (mm)	1500
Turning Radius (m)	With Brake: 9.64 Without Brake:11.43
OTHERS	
Trailer Hitch - Option 1	Automatic Ladder Hitch
Trailer Hitch - Option 2	Cuna Hitch
Front Tow Hook	Yes
OPTIONAL TYRES	
Front & Rear Option 1	12.4x24 / 18.4x30
Front & Rear Option 2	13.6x24 / 16.6x34
Front & Rear Option 3	13.6x24 R1 / 18.4x34 R1
Front & Rear Option 4	13.6x24 R2 / 18.4x34 R2
Front & Rear Option 5	320/70R24 / 480/70R30
Front & Rear Option 6	420/65R24 / 540/65R34
Front & Rear Option 7	320/85R24 / 460/85R30
Front & Rear Option 8	380/85R24 / 460/85R34
Front & Rear Option 9	270/95R32 / 270/95R48
Front & Rear Option 10	210/95R28 / 210/95R44
Front & Rear Option 11	210/95R28 / 230/95R42
Front & Rear Option 12	12.4X24 / 13.6X38

*Data and specifications are subject to change without any advance notice due to continuous product improvement and development. All Dimensions are with standard tyres.

DEALER STAMP

