

— THE TOUGHEST —
PERFORMER
« FOR YOUR FIELD »

Solis

38
SHUTTLE XL

**UNLEASH PRODUCTIVITY
NURTURE COMFORT**



BEST IN INDUSTRY
5
YEARS
WARRANTY

CELEBRATING
1,400,000
TRACTORS
— GLOBALLY —

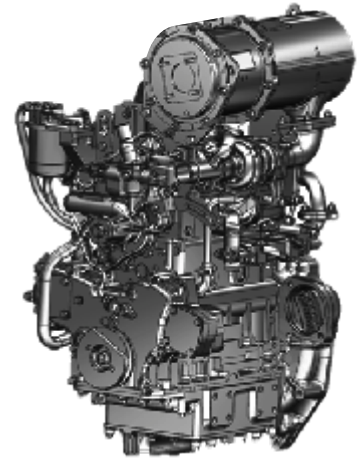
— MADE OF —
COST
EFFICIENT
MECHANICAL TRACTORS

— MADE OF —
REAL
STEEL

STRATEGIC
COLLABORATION
WITH
YANMAR

HIGH PERFORMANCE POWERFUL ENGINE

Discover Solis S38, boasting a formidable 3-cylinder natural aspirated engine. With its exceptional torque output of 109.4 Nm, this tractor offers remarkable power and acceleration. The under-hood exhaust enhances its performance, creating an exhilarating farming experience.



**3-CYLINDER
NATURAL
ASPIRATED ENGINE**



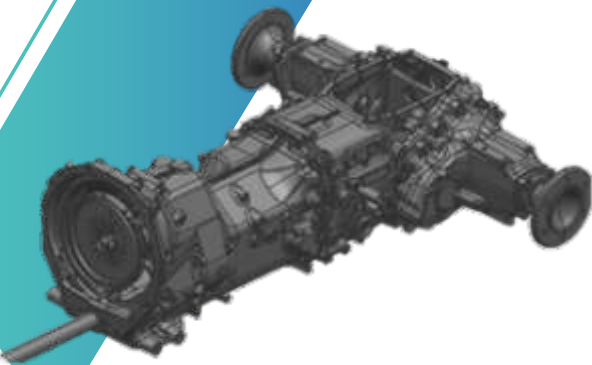
**HIGH END
TORQUE OF
109.4 Nm**



**BIGGER
AIR CLEANER**

INNOVATIVE SYNCHROMESH SHUTTLE TRANSMISSION

Discover the capabilities of the Solis S38, designed for optimal efficiency and manoeuvrability. Its 4WD synchromesh newly Design 8F+8R transmission guarantees seamless gear transitions, while the mechanical differential lock maximizes traction in slippery or uneven conditions. Get ready to conquer your farming tasks with this rugged and dependable tractor.



**8 FORWARD +
8 REVERSE
SYNCHROMESH
TRANSMISSION**



**SIDE SHIFT
TRANSMISSION**



**NEWLY
OPTIMIZED
SPEED RANGE**

CUTTING-EDGE S-COMMAND CENTRE

Experience optimal comfort and efficiency with the Solis S38! Its power steering system makes navigating through fields and tight spaces a breeze. The tractor's well-designed workspace features a rubber floor mat, enhancing comfort and reducing fatigue during long hours of operation.



**POWER
STEERING**



**COMFORTABLE
SEAT**



**WIDER
PLATFORM**

S-BOOST HYDRAULICS

Experience the power and versatility of the Solis S38. Featuring a CAT-1 type 3-point linkage, this tractor enables seamless attachment of various implements for efficient agricultural operations. Its 1DA Auxiliary Hydraulic Circuit empowers you to operate hydraulic attachments effortlessly. With an impressive lifting capacity of 1000 kg, this tractor is ready to tackle demanding tasks easily.



**1DA AUXILIARY
HYDRAULIC
CIRCUIT**



**1000 KG LIFTING
CAPACITY**



**CAT-1 THREE POINT
LINKAGE**

TIMELESS DESIGN



Experience the modern innovation of the Solis S38, equipped with projector lamps that provide exceptional visibility during nighttime operations. Its sleek aerodynamic body enhances its aesthetics and improves fuel efficiency. The front metal hood ensures superior protection, making it a reliable choice for all your agricultural needs.



**AERODYNAMIC
BONNET**



**TWIN PROJECTOR
HEAD LAMPS**



**HEAVY SHEET
METAL FRONT
HOOD**

POWERFUL FRONT AXLE

Solis S38 is the epitome of versatility, boasting a perfect balance between steering and a high-performance axle. This ingenious design minimizes mechanical loss and maximizes productivity, making it an exceptional choice for all your agricultural needs.



**HEAVY DUTY
FRONT AXLE**



**BALANCE
STEERING**



**LOW
MAINTENANCE**



FEATURES	38 SHUTTLE XL
ENGINE	
No. of Cylinders / Capacity (cc) / Emissions Level	3 / 1642 / Stage V
Rated Engine Power (Kw/HP)	23.8 /32
Rated Engine Speed	2600
Max. Torque (Nm)	109.4 @1690
Aspiration	Natural Aspirated
Air Cleaner	Dry Air Cleaner
Exhaust	Underhood
Fuel Tank Capacity (L)	38
TRANSMISSION	
Drive	4WD
Gear Box	Synchromesh Shuttle Transmission
No. of Speeds	8F+8R
SPEEDS (FORWARDS)	
Minimum Speed (Km/hr.)	1.59 (with Agri Tyres)
Maximum Speed (Km/hr.)	18.03 (with Agri Tyres)
FRONT AXLE	
4WD Front Axle	Portal Type Axle
Differential Lock	Mechanical, Foot Operated
Brake Actuation	Pedal Operated (Mechanical)
Parking Brake	Independent Parking Brake
PTO	
PTO (RPM)	540 @2360
PTO (Actuation)	Mechanical Lever Operated
STEERING	
Steering	Power Steering
ELECTRICAL	
Battery	85A
Alternator	40A

FEATURES	38 SHUTTLE XL
HYDRAULICS	
3 Point Linkage	CAT-1
Auxiliary Hydraulic Circuit	1DA
Stay Bars	Check Chain Adjustable Type
Lifting Capacity (Kg)	1000
Litre Per Minute (LPM)	For Steering Flow 17 lpm For Hydraulics Flow 28 lpm
TYRE	
Front	7.00-16
Rear	11.2-24
WEIGHT & DIMENSIONS (MM)	
Weight (Kg)	1270
Wheelbase (mm)	1650
Overall Length (mm)	3100 (without Front Weight)
Overall Width (mm)	1360
Height (mm) up to ROPS	2500
Min. Ground Clearance (mm)	340 with 11.2 x24 Tyre
Front Track (mm)	1071 ± 15 (Tyre 7.00-16)
Rear Track (mm)	1080 ± 15 (Tyre 11.2-24)
Turning Radius (m)	2.5 (with brakes)
OTHERS	
Trailer Hitch - Option 1	Clevis Hitch
Option 2	Swinging Draw bar
Front Tow Hook	Yes
OPTIONAL TYRES	
INDUSTRIAL	Front : 27x10.5-15 Rear : 15-19.5
TURF	Front : 25x8.50-14 Rear : 13.6x16

*Data and specifications are subject to change without any advance notice due to continuous product improvement and development. All Dimensions are with standard tyres.

DEALER STAMP

