



**Solis**

**INTERNATIONAL TRACTORS LIMITED**

International Business Office: Teri School of Advanced Studies, Plot No.10, Institutional Area, Vasant Kunj, New Delhi-110070 (India) | Phone: +91 11 66 45 5200

Work: Jalandhar Road, Hoshiarpur - 146022, Punjab (India) | Phone: +91-01882-522220/ 522221 | Fax: +91- 01882-522222

Email: info@solis.com | URL: www.solistractors.com

Follow us on:

[www.facebook.com/SolisTractors/](https://www.facebook.com/SolisTractors/)
[www.twitter.com/SolisTractor](https://www.twitter.com/SolisTractor)
[www.linkedin.com/company/solis-tractors-international](https://www.linkedin.com/company/solis-tractors-international)

[www.instagram.com/solis\\_tractors](https://www.instagram.com/solis_tractors)
[www.youtube.com/c/SolisTractors](https://www.youtube.com/c/SolisTractors)



**THE TOUGHEST PERFORMER**  
FOR YOUR FIELD

**EFFICIENT • VERSATILE • COMPETENT**

**Solis**



16

20

22

26

26

26  
SHUTTLE XL





THE NEXT GENERATION TECHNOLOGY

# XTRA

EXTRA EFFICIENT TRACTORS FOR YOUR WORK

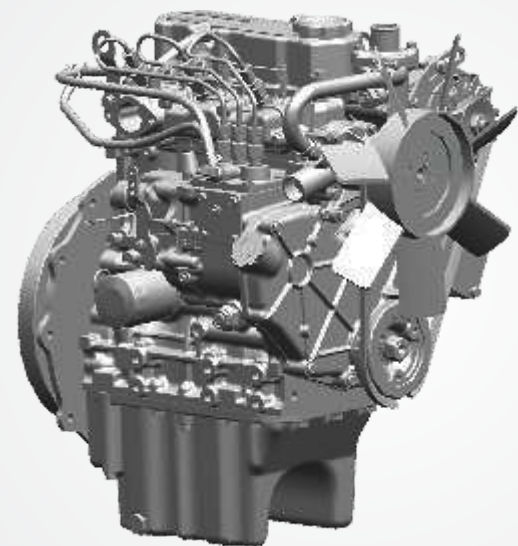


- 16
- 20
- 22
- 26
- 26 SHUTTLE XL
- H26



# EXTRA POWERFUL S5 ENGINE

Pace ahead with precision in power packed engine capacity. With user-friendly & eco-friendly features, S5 engine redefines power and performance on the field.



EXTRA EFFICIENT  
STAGE V ENGINE



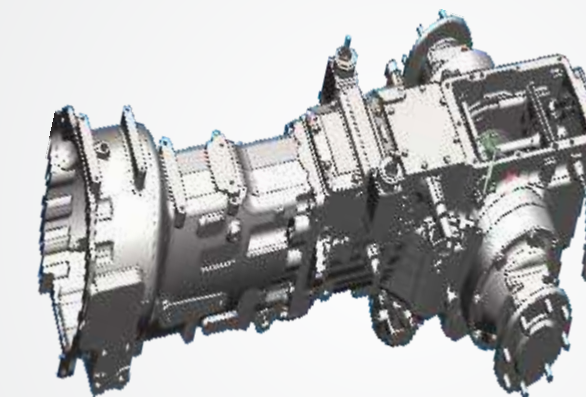
LOW  
MAINTENANCE



HIGH  
BACK UP  
TORQUE



BETTER  
COOLING



# NEXT GEN TRANSMISSION

The transmission potential of the tractor is at par with the global standards. The in-built speed precision field features allow high productivity on the field.



MECHANICAL  
TRANSMISSION



HST  
TRANSMISSION



# EXTRA POWERFUL LIFTING CAPACITY

Amplifying every task with its high lifting capacity, this tractor enables ease of operations and performs like a champion.



EFFICIENT  
HYDRAULIC  
PUMP



STANDARD DOUBLE  
ACTUATING  
AUXILIARY VALVE



SMOOTH  
LIFTING



## GLOBAL STYLING

The sleek and stylish bonnet is designed to provide better ground control and increase the user comfort.



SLEEK  
& STYLISH  
BONNET



AERODYNAMIC  
BONNET



STYLISH  
PROJECTOR  
LAMPS



# EXTRA POWERFUL SAFETY FEATURES

Achieve a seamless experience with our reinforced safety features and work hassle-free, even in the most difficult terrains & conditions.






-  OPC (OPERATOR PRESENCE CONTROL)
-  TIMEOUT ALARM
-  HAZARD WARNING
-  INTEGRATED CONTROL
-  SAFETY SHUT DOWN WITH PTO ENGAGEMENT



## S COMFORT PACKAGE

Designed to enhance the user experience, the extra comfort features add to ease of operations and make it more efficient and productive.

-  ERGONOMICALLY DESIGNED
-  SPACIOUS OPERATOR AREA
-  COMFORTABLE SEAT WITH FOLDABLE ARMREST\*



## REDEFINING PRODUCTIVITY WITH THE GARDEN EXPERT

A tractor that enables all your garden and farming needs, this power performer is empowered with a power steering to help reduce operational stress for the user. The powerful 4 wheel drive and effective traction capacity of SOLIS S16 capacitates smooth operations and the sliding mesh transmission enables speed precision.



3 CYLINDER  
STAGE "V" ENGINE



SLEEK  
& STYLISH  
BONNET



MECHANICAL  
TRANSMISSION



# S16

## SPECIFICATIONS

FEATURES	S16
<b>ENGINE</b>	
Engine Type	ITL 3 Cylinder
HP Category	16
No. of Cylinders	3
Aspiration	Naturally
Cubic Capacity (cc)	979
Rated RPM (+/-25mm)	2700
Air Cleaner	Dry with clogging sensor
Cold Start	Standard
Max Torque (Nm)	48
Exhaust	Silencer in the engine compartment, downward discharge
<b>TRANSMISSION</b>	
Drive	4 WD
Clutch	Single Clutch
Gearbox	6 Forward + 2 Reverse
Front Axle	4WD
Transmission	Sliding Mesh
<b>SPEED (FORWARD)</b>	
Maximum Speed (Km/Hr)	15.1@2950
Minimum Speed (Km/Hr)	1.36@rated
<b>BRAKES</b>	
Brakes	Dry drum brakes
Type of Actuation	Mechanical
Parking Brake	Independent
<b>DIFFERENTIAL LOCK</b>	
Differential Lock	Yes, Foot Operated
<b>PTO</b>	
PTO (rpm)	540, 1000
PTO (actuation)	Mechanical
<b>STEERING</b>	
Steering	Mechanical
<b>ELECTRICAL</b>	
Battery	12V, 60 Ah
Alternator	12V, 42 A
Seven Pin Trailer Socket	Standard
<b>HYDRAULICS</b>	
3 Point Linkage	Cat 1-N
Stay Bars	Anchor Chain
Additional hydraulic circuit	1 DA

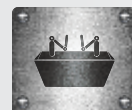
FEATURES	S16		
Hydraulic Lifting Capacity	500 Kg		
Lift Rods	Standard		
Litre per Minute(LPM)	12		
<b>SAFETY SWITCH</b>			
PTO Safety	Standard		
Neutral Safety Switch	Standard		
Clutch Safety Switch	Standard		
<b>CAPACITY (LTRS)(+/-5%)</b>			
Fuel Tank (Lit)	26		
<b>TURNING RADIUS</b>			
Without brakes (m) as per standard tyres	3.2 (RHS), 3.3 (LHS)		
<b>TYRE</b>			
Front	5.00-12		
Rear	8.00-18		
<b>DIMENSION &amp; WEIGHT(+/-5%)</b>			
Weight (Kg)	970		
Wheel Base (mm)	1420		
Total Length (mm)	2735		
Total Width (mm)	945 (max) - 940 (min)		
Height (mm) Up to ROPS	1945		
Min Ground Clearance (mm)	200		
Front Track (mm)	805		
Rear Track (mm)	715		
<b>OTHERS</b>			
Fuel Indicator Gauge	Standard		
Front Tow Hook	Standard		
Front & Rear Weights with std. Ballast	Front weights 30 Kg - 2 x 15 Kg		
Trailer Hitch	Drawbar / Optional Towbar		
ROPS	Yes		
<b>OPTIONAL FEATURES</b>			
<b>TYRES</b>			
Radial Agri: Front   Rear	Turf: Front   Rear	Ind: Front   Rear	Galaxy Pro
Front 6.5/80-12 Rear 280/70 R18	23x8.50-12 33x15.5-16.5	23x8.50-12 33x15.5-16.5	Front 220/55R12 Rear 280/70R16
Front loader	YES optional		

\*Data and specifications are subject to change without any advance notice due to continuous product improvement and development.



# VERSATILE PERFORMER

Our masterpieces towards innovation, Solis S20 & S26, are the heaviest tractors in their class. These strong and powerful heavy weight champions are made of complete metal increasing their productivity and efficiency on the field.



**HEAVYWEIGHT TRACTOR**



**RADIAL AGRI, WIDER AGRI, INDUSTRIAL, TURF TYRE OPTIONS**



**QUICK ATTACH LOADER & BUCKET WITH 3<sup>rd</sup> ELECTRIC FUNCTION OPTION**



# SPECIFICATIONS

FEATURES	S20	S26
<b>ENGINE</b>		
Engine Type	3 Cylinder (Water Cooled) Engine	3 Cylinder Diesel Engine
HP Category	20	26
No. of Cylinders	3	
Aspiration	Naturally	
Cubic Capacity (cc)	953	1319
Rated RPM	2700	2500
Air Cleaner	Dry with clogging sensor	
Cold Start	Standard	
Max. Torque (Nm)	52	76.3
Exhaust	Silencer in the engine compartment, downward discharge	
<b>TRANSMISSION</b>		
Drive	4WD	
Clutch	Single Clutch	
Gearbox	6 Forward + 2 Reverse	
Front Axle	4WD	
Transmission	Sliding Mesh	
<b>SPEED (FORWARD)</b>		
Maximum Speed (Km/Hr)	15.1@2900	16.2@2815 fly up
Minimum Speed (Km/Hr)	1.36@rated	1.64@2500 rated
<b>BRAKES</b>		
Brakes	Dry Drum Brake	Oil Bath Brake
Type of Actuation	Mechanical	
Parking Brake	Independent	
<b>DIFFERENTIAL LOCK</b>		
Differential lock	Yes, Foot Operated	
<b>PTO</b>		
PTO (rpm)	540, 1000	
PTO (Actuation)	Mechanical	
<b>STEERING</b>		
Steering	Mechanical	Power Steering
<b>ELECTRICAL</b>		
Battery	12 V, 60 Ah	12 V, 65 Ah
Type of Actuation	12V, 42 A	12V, 42 A
Parking Brake	Standard	

\*\*Data and specifications are subject to change without any advance notice due to continuous product improvement and development.

FEATURES	S20	S26	
<b>HYDRAULICS</b>			
3 Point Linkage	Cat 1 - N		
Stay Bars	Anchor Chain		
Auxiliary Hydraulic Circuit	1DA		
Lift Rods	Standard		
Lifting Capacity (Kg)	600		
Litre Per Minute (LPM)	13.3	13.5	
<b>SAFETY SWITCH</b>			
PTO Safety	Standard		
Neutral Safety Switch	Standard		
Clutch Safety Switch	Standard		
<b>CAPACITY (LITRE) (+/-5%)</b>			
Fuel Tank (Ltr.)	26	28	
<b>TURNING RADIUS</b>			
Without Brakes (m)	3.2 (RHS), 3.3 (LHS)	3.18 (RHS), 3.10 (LHS)	
<b>TYRE (STANDARD)</b>			
Front	5.00-12	6.00-12	
Rear	8.00-18	8.30-20	
<b>DIMENSION &amp; WEIGHT (+/-5%)</b>			
Weight (kg)	970	1070, 1265 with Cabin	
Wheel Base (mm)	1420	1560	
Total Length (mm)	2735	2760	
Total Width (mm)	945(max)-940(min)	1075 (max) - 1055 (min)	
Height (mm) Up to ROPS	1945	1955	
Min. Ground Clearance (mm)	200	240	
Front Track (mm)	805	885	
Rear Track (mm)	715	835	
<b>OTHERS</b>			
Fuel Indicator Gauge	Standard		
Front Tow Hook	Standard		
Front & Rear Weights with Std. Ballast	Front weights 30 Kg - 2 x 15 Kg	Front weights - 2 x 15 Kg	
Trailer Hitch	Drawbar / Optional Towbar		
ROPS	Yes		
Cabin Option	Yes		
<b>TYRES</b>			
Radial Agri: Front   Rear 6.5/80-12   280/70 R18	Turf: Front   Rear 23x8.50-12   33x15.5-16.5	Ind: Front   Rear 23x8.50-12   33x15.5-16.5	Galaxy Pro 220/55R12   280/70R16
Front loader		YES optional	



# ELEVATING POTENTIAL

A tractor that enables all your garden and farming needs, this power performer is empowered with a power steering to help reduce operational stress for the user. The powerful 4 wheel drive and effective traction capacity of SOLIS S22 capacitates smooth operations and the sliding mesh transmission enables speed precision.



**3 CYLINDER  
STAGE "V" ENGINE**



**SLEEK  
& STYLISH  
BONNET**



**MECHANICAL  
TRANSMISSION**



# S22

# SPECIFICATIONS

FEATURES	S22
<b>ENGINE</b>	
Engine Type	ITL Make - GTV BB
HP Category	22
No. of Cylinders	3
Aspiration	Naturally
Cubic Capacity (cc)	1130 cc (1.13 ltr)
Rated RPM (+/-25mm)	2700
Air Cleaner	Dry with clogging sensor
Cold Start	Standard
Max Torque (Nm)	55
Exhaust	Silencer in the engine compartment, downward discharge
<b>TRANSMISSION</b>	
Drive	4 WD
Clutch	Single Clutch
Gearbox	6 Forward + 2 Reverse
Front Axle	4WD
Transmission	Sliding Mesh
<b>SPEED (FORWARD)</b>	
Maximum Speed (Km/Hr)	17.02@2950
Minimum Speed (Km/Hr)	2.13@rated
<b>BRAKES</b>	
Brakes	Oil immersed brakes
Type of Actuation	Mechanical
Parking Brake	Independent
<b>DIFFERENTIAL LOCK</b>	
Differential Lock	Yes, Foot Operated
<b>PTO</b>	
PTO (rpm)	540, 1000
PTO (actuation)	Mechanical
<b>STEERING</b>	
Steering	Power Steering
<b>ELECTRICAL</b>	
Battery	12V, 65 Ah
Alternator	12V, 42 A
Seven Pin Trailer Socket	Standard
<b>HYDRAULICS</b>	
3 Point Linkage	Cat 1-N
Stay Bars	Anchor Chain
Additional hydraulic circuit	1 DA

FEATURES	S22		
Hydraulic Lifting Capacity	600 Kg		
Lift Rods	Standard		
Litre per Minute(LPM)	13.7		
<b>SAFETY SWITCH</b>			
PTO Safety	Standard		
Neutral Safety Switch	Standard		
Clutch Safety Switch	Standard		
<b>CAPACITY (LTRS)(+/-5%)</b>			
Fuel Tank (Lit)	26		
<b>TURNING RADIUS</b>			
Without brakes (m) as per standard tyres	3.28 (RHS), 3.15 (LHS)		
<b>TYRE</b>			
Front	6.00-12		
Rear	8.30-20		
<b>DIMENSION &amp; WEIGHT(+/-5%)</b>			
Weight (Kg)	1070		
Wheel Base (mm)	1560		
Total Length (mm)	2750		
Total Width (mm)	1075 (max) - 1050 (min)		
Height (mm) Up to ROPS	1940		
Min Ground Clearance (mm)	230		
Front Track (mm)	875		
Rear Track (mm)	830		
<b>OTHERS</b>			
Fuel Indicator Gauge	Standard		
Front Tow Hook	Standard		
Front & Rear Weights with std. Ballast	Front weights 30 Kg - 2 x 15 Kg		
Trailer Hitch	Drawbar / Optional Towbar		
ROPS	Yes		
<b>OPTIONAL FEATURES</b>			
<b>TYRES</b>			
Radial Agri: Front   Rear	Turf: Front   Rear	Ind: Front   Rear	Galaxy Pro
Front 6.5/80-12 Rear 280/70 R18	23x8.50-12 33x15.5-16.5	23x8.50-12 33x15.5-16.5	Front 220/55R12 Rear 280/70R16
Front loader	YES optional		

\*Data and specifications are subject to change without any advance notice due to continuous product improvement and development.



# SPECIFICATIONS

FEATURES <b>H26</b>	
<b>ENGINE</b>	
Engine Type	3-Cylinder Diesel Engine
HP Category	26
No. of Cylinders	3
Aspiration	Naturally
Cubic Capacity (cc)	1319
Rated RPM (+/-25mm)	2500
Air Cleaner	Dry with clogging sensor
Cold Start	Standard
Max Torque (Nm)	76.3
Exhaust	Silencer in the engine compartment, downward discharge
<b>TRANSMISSION</b>	
Drive	4 WD
Clutch	Wet type clutch for PTO
Gearbox	Hydrostatic
Front Axle	4WD
Transmission	HST (2-Stufen Hydrostat)
<b>SPEED (FORWARD)</b>	
Maximum Speed (Km/Hr)	21.03@2660
Minimum Speed (Km/Hr)	3.18 at low idle 900 erpm, 8.83@rated erpm
<b>BRAKES</b>	
Brakes	Oil Immersed
Type of Actuation	Hydrostatic
Parking Brake	Independent
<b>DIFFERENTIAL LOCK</b>	
Differential Lock	Yes, Foot Operated
<b>PTO</b>	
PTO (rpm)	Mid PTO- 2100 RPM, Rear 540
PTO (actuation)	Electro hydraulic operated/ mechanical selector lever
<b>STEERING</b>	
Steering	Power steering
<b>ELECTRICAL</b>	
Battery	12V, 65 Ah
Alternator	12V, 42 A
Seven Pin Trailer Socket	Standard
<b>HYDRAULICS</b>	
3 Point Linkage	Cat 1-N
Stay Bars	Anchor Chain
Additional hydraulic circuit	1 DA

FEATURES <b>H26</b>			
Hydraulic Lifting Capacity	600 Kg		
Lift Rods	Standard		
Litre per Minute(LPM)	16.5		
<b>SAFETY SWITCH</b>			
PTO Safety	Standard		
Neutral Safety Switch	Standard		
Clutch Safety Switch	Standard		
<b>CAPACITY (LTRS)(+/-5%)</b>			
Fuel Tank (Lit)	22		
<b>TURNING RADIUS</b>			
Without brakes (m) as per standard tyres	3.05 (RHS), 2.62 (LHS)		
<b>TYRE</b>			
Front	6.00-12		
Rear	8.30-20		
<b>DIMENSION &amp; WEIGHT(+/-5%)</b>			
Weight (Kg)	1235		
Wheel Base (mm)	1570		
Total Length (mm)	2895		
Total Width (mm)	1215 (max)-1050 (min)		
Height (mm) Up to ROPS	2325		
Min Ground Clearance (mm)	240		
Front Track (mm)	885		
Rear Track (mm)	960		
<b>OTHERS</b>			
Fuel Indicator Gauge	Standard		
Front Tow Hook	Standard		
Front & Rear Weights with std. Ballast	Front weights - 2 x 15 Kg		
Trailer Hitch	Towbar, Drawbar (optional)		
ROPS	Yes		
<b>OPTIONAL FEATURES</b>			
Cabin Option	Yes		
<b>TYRES</b>			
Radial Agri: Front   Rear 6.5/80-12 280/70 R18	Turf: Front   Rear 25x8,50-14 13.60-16	Ind: Front   Rear 23x8,50-12 33x15,50-16,5	Galaxy Pro F - 220/55R12 R - 280/70R16
Front loader		YES optional	

\*Data and specifications are subject to change without any advance notice due to continuous product improvement and development. All Dimensions are with standard tyres.



ALSO AVAILABLE WITH CABIN

## REMASTERED TRANSMISSION

The high comfort level of this tractor features high end transmission, enabling ease of performance in all terrains.

- MID & REAR PTO
- SEPARATE PEDAL FOR FORWARD & REVERSE
- CRUISE CONTROL
- QUICK ATTACH MOWER



# UPGRADE YOUR FARM WITH ADDED VERSATILITY & COMFORT



**INTEGRATED  
LOADER  
JOYSTICK (OPTIONAL)**



**MULTI TYRE OPTIONS  
(AGRI, INDUSTRIAL & TURF TYRE)**



**QUICK ATTACHED  
LOADER**



**SYNCHROMESH  
SHUTTLE**

## 26 SHUTTLE XL



# SPECIFICATIONS

FEATURES	26 SHUTTLE XL
<b>ENGINE</b>	
Engine Type	3-Cylinder Diesel Engine
HP Category	26
No. of Cylinders	3
Aspiration	Naturally
Cubic Capacity (cc)	1319
Rated RPM (+/-25mm)	2500
Air Cleaner	Dry
Cold Start	Standard
Max Torque (Nm)	76.3
Exhaust	Silencer in the engine compartment, downward discharge
<b>TRANSMISSION</b>	
Drive	4 WD
Clutch	Single Clutch
Gearbox	9 Forward + 9 Reverse
Front Axle	4WD
Transmission	Constant Mesh with Synchromesh Shuttle Lever
<b>SPEED (FORWARD)</b>	
Maximum Speed (Km/Hr)	21.46 @2760 fly up
Minimum Speed (Km/Hr)	1.14@rated
<b>BRAKES</b>	
Brakes	Oil Immersed
Type of Actuation	Mechanical
Parking Brake	Independent
<b>DIFFERENTIAL LOCK</b>	
Differential Lock	Yes, Foot Operated
<b>PTO</b>	
PTO (rpm)	540/540E
PTO (actuation)	Mechanical
<b>STEERING</b>	
Steering	Power steering
<b>ELECTRICAL</b>	
Battery	12V, 65 Ah
Alternator	12V, 42 A
Seven Pin Trailer Socket	Standard
<b>HYDRAULICS</b>	
3 Point Linkage	Cat 1-N
Stay Bars	Anchor Chain
Additional hydraulic circuit	1 DA

FEATURES	26 SHUTTLE XL		
Hydraulic Lifting Capacity	600 Kg		
Lift Rods	Standard		
Litre per Minute(LPM)	17.8		
<b>SAFETY SWITCH</b>			
PTO Safety	Standard		
Neutral Safety Switch	Standard		
Clutch Safety Switch	Standard		
<b>CAPACITY (LTRS)(+/-5%)</b>			
Fuel Tank (Lit)	20		
<b>TURNING RADIUS</b>			
Without brakes (m) as per standard tyres	3.02 (RHS), 3.15 (LHS)		
<b>TYRE</b>			
Front	6.00-12		
Rear	8.30-20		
<b>DIMENSION &amp; WEIGHT(+/-5%)</b>			
Weight (Kg)	1250		
Wheel Base (mm)	1570		
Total Length (mm)	2895		
Total Width (mm)	1215 (max)-1050 (min)		
Height (mm) Up to ROPS	2325		
Min Ground Clearance (mm)	240		
Front Track (mm)	885		
Rear Track (mm)	960		
<b>OTHERS</b>			
Fuel Indicator Gauge	Standard		
Front Tow Hook	Standard		
Front & Rear Weights with std. Ballast	Front weights-2 x 15		
Trailer Hitch	Towbar, drawbar (optional)		
ROPS	Yes		
<b>OPTIONAL FEATURES</b>			
Cabin Option	Optional only heater		
<b>TYRES</b>			
Radial Agri: Front   Rear 6.5/80-12 280/70 R18	Turf: Front   Rear 25x8,50-14 13.60-16	Ind: Front   Rear 23x8,50-12 33x15,50-16,5	Galaxy Pro R- 280/70R16
Front loader		YES optional	

\*Data and specifications are subject to change without any advance notice due to continuous product improvement and development. All Dimensions are with standard tyres.